



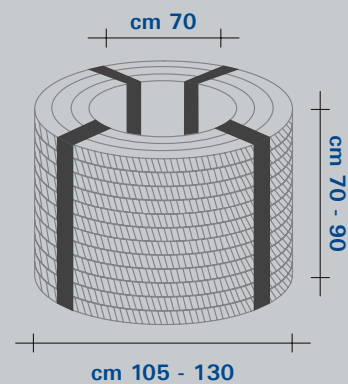
PITTINI



JUMBO[®]

Tondo in rotoli / *Rebar in coil*

-
- Acciaio ad alta duttilità
 - Confezionamento compatto
 - Riduzione scarti nelle successive lavorazioni
 - *Highly ductility steel*
 - *Compact packaging*
 - *Waste reduction during further processing*



2.500 Kg - 5.000 Kg

Tipologia / Types

Classi acciaio Steel Grades	Paese Country	Normativa Standard	Ø
B450A	ITALIA / ITALY	D.M. 17/01/2018	5 ÷ 10 mm
B450C			6 ÷ 16 mm
B500A	BOSNIA ED ERZEGOVINA / BOSNIA END ERZEGOVINA	HRN 1130-2:2008 HRN EN 10080:2012	8 ÷ 16 mm
	MONTENEGRO	HRN 1130-2:2008 HRN EN 10080:2012	8 ÷ 16 mm
B500B (BST500WR)	GERMANIA / GERMANY	DIN 488	8 ÷ 16 mm
		Z-1.2-271	20 mm
	SLOVENIA	STS-07/061	8 ÷ 16 mm
	CROAZIA / CROATIA	HRN 1130-2:2008 HRN EN 10080:2012	8 ÷ 16 mm
	REP. CECA / CZECH REP.	CSN 42 0139	8 ÷ 25 mm
	UNGHERIA / HUNGARY	A-90/2017	8 ÷ 20 mm
	POLONIA / POLAND	IBDiM-KOT-2018/0114 wydanie 1	8 ÷ 16 mm
	SERBIA	SRPS EN 10080:2008	8 ÷ 16 mm
	BOSNIA ED ERZEGOVINA / BOSNIA END ERZEGOVINA	HRN 1130-2:2008 HRN EN 10080:2012	8 ÷ 16 mm
	MONTENEGRO	HRN 1130-2:2008 HRN EN 10080:2012	8 ÷ 16 mm
	SLOVACCHIA / SLOVAKIA	SK-TP-16/0120	8 ÷ 25 mm
	DANIMARCA / DENMARK	EN 10080:2005	8 ÷ 20 mm
	SVIZZERA / SWITZERLAND	SIA 262	8 ÷ 20 mm
	FRANCIA / FRANCE	NF A 35-080-1 NF EN 10080	8 ÷ 16 mm
	ALGERIA	"Arrêté Interministériel du 08 Mars 1997" (pubblicato sul Journal Officiel de La Repu- blique Algerienne Nr. 54)	8 ÷ 20 mm
	B500C	ROMANIA	AT 016-01/425-2020
GRECIA / GREECE		ELOT 1421-1 ELOT 1421-3 ELOT EN 10080:2005	10 ÷ 16 mm
BULGARIA		BDS EN 10080:2005; BDS 9252:2007; BTA-18.1/04.02.2019	8 ÷ 16 mm
POLONIA / POLAND		PN-H-93220-02	10 ÷ 16 mm
ALBANIA		EN 10080	8 ÷ 20 mm
CIPRO / CYPRUS		ELOT 1421-3	8 ÷ 16 mm
MALTA		BS 4449	8 ÷ 25 mm
KOSOVO		EN 10080	8 ÷ 20 mm
400W	CANADA	CSA G30.18-09 (R2014)	10 ÷ 15 M
S400W-R	ISRAELE / ISRAEL	SI 4466	8 ÷ 20 mm
S500W-C			10 ÷ 20 mm
K500 B	SVEZIA / SWEDEN	SS-EN 10080:2005 SS 212540:2014	8 ÷ 20 mm
K500 C			
B500 NB	NORVEGIA / NORWAY	NS3576-2:2005 NS3576-3:2005	10 ÷ 20 mm
B500 NC			
D500 N	AUSTRALIA	AS/NZS 4671:2001	10 ÷ 20 mm
B550A	AUSTRIA	ÖNORM B 4707	6 ÷ 12 mm
B550B	AUSTRIA	ÖNORM B 4707	6 ÷ 16 mm
	SLOVACCHIA / SLOVAKIA	SK-TP-16/0120	8 ÷ 16 mm
	DANIMARCA / DENMARK	EN 10080:2005	8 ÷ 16 mm