

1. DESCRIPTION.

High ductility lattice girder type BAUSTRADA HD made from hot rolled steel wire according to D.M. 17.01.2018 steel grade B450C.

2. CHEMICAL COMPOSITION ON PRODUCT (%).

	Limits	C %	P %	S %	Cu %	N %	C _{eq} %
PITTINI	max	0.24	0.055	0.055	0.85	0.014	0.52
D.M. 2018	max	0.24	0.055	0.055	0.85	0.014	0.52

3. MECHANICAL PROPERTIES.

Standard	Steel grade	Ø (mm)	Weight tol %	f _y min MPa	f _y max MPa	f _t min MPa	f _t /f _y min	f _t /f _y max	Agt min %	Rt min %
PITTINI	B450C	6 ÷ 16	note	450C	563C	540C	1.15C	1.35C	7,5C	25
D.M. 2018	B450C	6 ÷ 16	note	450C	563C	540C	1.15C	1.35C	7,5C	25

NOTES: c - characteristic values ; test after artificial ageing to 100°C for 1h.

for Ø ≤ 8 mm the permissible deviation is ± 6%, for Ø > 8 mm the permissible deviation is ± 4,5%

Diameter ratio Ø_{min}/Ø_{max} ≥ 0.60

4. STANDARD PACKAGING.

bundle length: 12m

n° piece for bundle = 21 - 30 - 45

n° stirrups for bundle = 2

5. STANDARD IDENTIFICATION.

Each bundle with label reporting:

FERRIERE NORD S.p.A.
I - 33010 OSOPPO (UD) ITALIA
Production plant
D.M. 17/01/18 - B450C
TRALICCIO PITTINI HD
Type/Length
Lot number

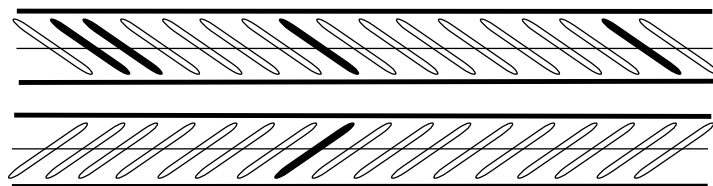
6. STANDARD CERTIFICATION.

Document according to EN 10204 3.1.

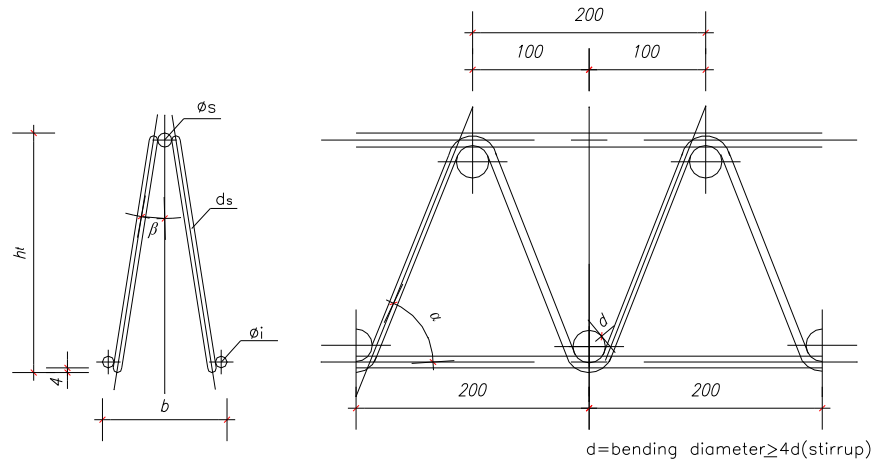
Product qualified by Ministero Infrastrutture e Trasporti

7. IDENTIFICATION MARK.

Mark 4-7



8. GIRDER DIMENSIONS



List of BAUSTRADA HD standard Lattice Girders

BAUSTRADA HD	L (m)	Øi (mm)	Øs (mm)	ds (mm)	ht (cm)	b (Mm)
8/10/6 h=12.5	12	8	10	6	12.5	108
8/10/6 h=16.5	12	8	10	6	16.5	108
8/12/7.2 h=16.5	12	8	12	7.2	16.5	108
8/12/7.2 h=20.5	12	8	12	7.2	20.5	108
12/16/10 h=16.5	12	12	16	10	16.5	120
12/16/10 h=20.5	12	12	16	10	20.5	120

Notes: Baustrada HD Lattice Girders can be provided on demand in length from 2.80m up to 13.6m, on multiple lengths of 0.20m

9. NON STANDARD LATTICE GIRDERS

Non standard lattice girders can be provided on demand and after feasibility evaluation in accordance with the following configurations:

- Length L: from 3.0m up to 13.6m in multiple length of 0.2m
- Possible multiple lengths of 0.10m (cut on the upper welded joint)
- Height between 95 and 350mm, with upper chord diameter between 8 and 16mm, lower chord diameter between 6 and 16mm, stirrup diameter between 6 and 10mm
- Base b according to the following table, as a function of lower chords diameters and height of the lattice girder

	Height ht up to 260mm	Height ht over 260mm
Øi between 6 and 8mm	108	130
Øi between 10 and 12mm	120	130
Øi between 14 and 16mm	130	140

10. DIMENSIONAL TOLERANCES

The following tolerances are valid for both standard and non standard lattice girders:

Height: +1/-3 mm;

Width : ±5mm;

Length: +5/-40 mm.

Stirrup pitch: ± 2,5 mm

Upper overhang: max 4 mm

Lower overhang: max 5 mm

Maximum rising from the flat of lower chords (stirrups excluded):

- 10mm if $L \leq 8m$
- 15mm if $L > 8m$

Sabre: max 15mm